



# Cable Grounding Kit

2254—For use on shielded cable 500–1000 kcmil

## Instructions

### A. Prepare Cable

1. Remove 2 inches (50 mm) of cable jacket to expose neutral wires where ground connection is to be attached. (Figure 1)

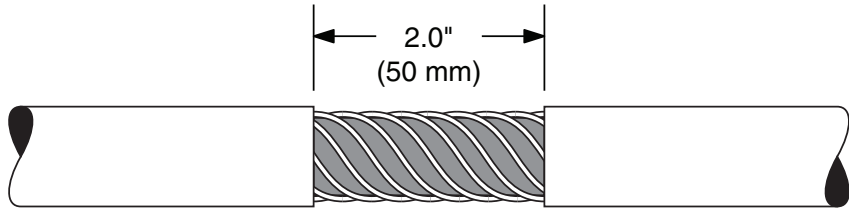


Figure 1

### B. Make Grounding Connection

1. Crimp copper braid to ground wire (ground wire not in kit: size to be determined by customer. Suggested size: 2/0 AWG 600 volt insulated) with “C” connector (in kit).

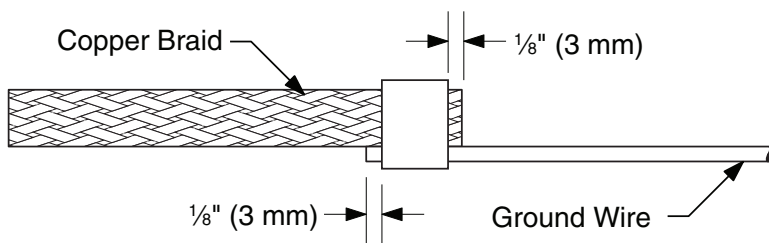


Figure 2

2. At a point 2 inches (50 mm) to one side of the jacket opening, place one wrap of mastic (in kit). (Figure 3)
3. Place ground connector on exposed concentric wires at opening edge with braid extending toward opening. Hold ground wire in place and tightly wrap with 5 layers of tape at a point 6 inches (150 mm) from the opening (Figure 3) to secure the ground wire to the cable.

**Note:** Additional taping may be required.

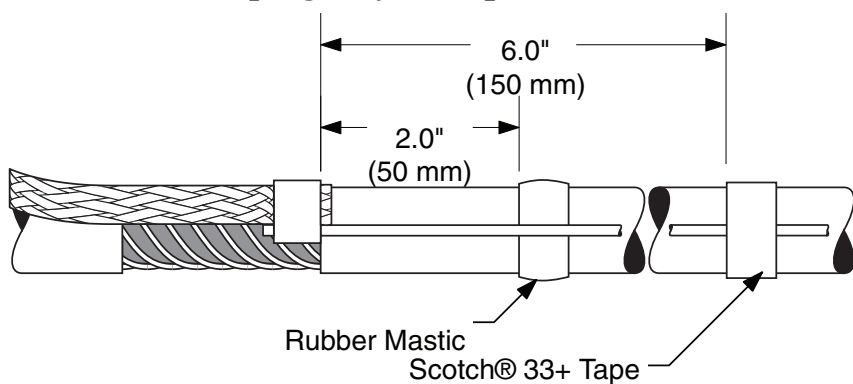


Figure 3

**Note:** Illustrations are of jacketed concentric neutral cable. Procedure is the same for other shielded cables.

4. Tape “C” connector to concentric wires with Scotch® Vinyl Plastic Electrical Tape 33+ (in kit).
5. Wrap copper braid around concentric wires, rewinding around itself. Pull (to unwrap) the constant force spring (in kit) around the copper braid and rewrap around itself. (Figure 4)

**Note:** Be certain the copper braid and constant force spring are wrapped in the same direction, and that the spring is centered within the edges of the braid. The braid edge should be butted against the “C” connector.

Cinch (tighten) the applied spring after the final wrap.

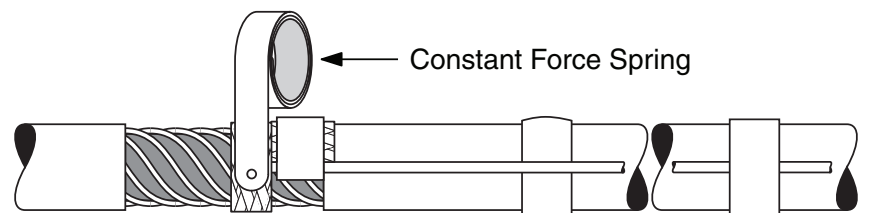


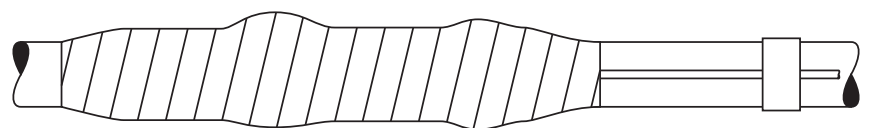
Figure 4

6. Wrap 1 layer of 33+ Vinyl Tape over coil and copper braid to insure that no frayed edges are exposed.

### C. Sealing The Assembly

1. Press the ground wire into the mastic. At the mastic wrap, use the remaining mastic to build a seal around the ground wire.
2. Seal assembly by wrapping 2 half-lapped layers of rubber mastic tape extending 2 inches (50 mm) onto either side of the jacket opening. Stretch the tape approximately 25%. Be sure the tape extends beyond the mastic seal.
3. Wrap 1 half-lapped layer of 33+ Vinyl Tape over the rubber mastic.

**Note:** To apply the rubber mastic tape, start at the “C” connector and wrap with the mastic side down.



Completed Ground Connection

3M and Scotch are trademarks of 3M Company.

#### Important Notice

All statements, technical information, and recommendations related to 3M's products are based on information believed to be reliable, but the accuracy or completeness is not guaranteed. Before using this product, you must evaluate it and determine if it is suitable for your intended application. You assume all risks and liability associated with such use. Any statements related to the product which are not contained in 3M's current publications, or any contrary statements contained on your purchase order shall have no force or effect unless expressly agreed upon, in writing, by an authorized officer of 3M.

**Warranty; Limited Remedy; Limited Liability.** This product will be free from defects in material and manufacture for a period of one (1) year from the date of purchase. **3M MAKES NO OTHER WARRANTIES INCLUDING, BUT NOT LIMITED TO, ANY IMPLIED WARRANTY OF MERCHANTABILITY OR FITNESS FOR A PARTICULAR PURPOSE.** If this product is defective within the warranty period stated above, your exclusive remedy shall be, at 3M's option, to replace or repair the 3M product or refund the purchase price of the 3M product. **Except where prohibited by law, 3M will not be liable for any indirect, special, incidental or consequential loss or damage arising from this 3M product, regardless of the legal theory asserted.**

#### CAUTION

Working around energized high-voltage systems may cause serious injury or death. Installation should be performed by personnel familiar with good safety practice in handling high-voltage electrical equipment. De-energize and ground all electrical systems before installing product.

#### 3M Electrical Markets Division

6801 River Place Blvd.  
Austin, TX 78726-9000  
www.3M.com/electrical



Printed on 50% recycled paper  
with 10% post-consumer

Litho in USA

© 3M 2005

78-8126-9577-9-A