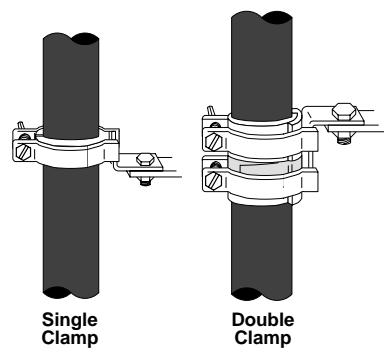


Hardware Accessories

3M MB-1 Cross-Arm Mounting Bracket

3M™ MB and MBS Series Mounting Brackets



The MB and MBS Series Mounting Brackets have been designed to mount 3M's molded rubber terminations. These brackets are attached to the cable just below the termination. This provides a tongue that can then be attached to an MB-1 mounting bracket or to any other



3M MB-1 is a cross-arm bracket for use in holding terminated cable. The MB-1 is ideal to use when ordering the MB or MBS termination mounting brackets featured on this page.

150

support. The MB series brackets are made from galvanized steel. The MBS series are made from stainless steel to provide additional corrosion protection in highly contaminated environments.

Specifications and Ordering Information for 3M Hardware Accessories

Product Number	UPC (054007-)	Cable O.D. Range	Inner Unit Pack Qty.	Case Qty.
MB-3	14754	0.80 - 1.25" (20 - 32 mm)*	1/bag	10 each
MB-4	14755	1.10 - 1.50" (28 - 38 mm)	1/bag	10 each
MB-5**	08200	1.45 - 1.95" (37 - 50 mm)	1/bag	10 each
MB-6**	08286	1.80 - 2.40" (46 - 61 mm)	1/bag	10 each
MB-1	11230	—	1/bag	10 each
MBS-4**	49685	1.10 - 1.70" (28 - 43 mm)	1/bag	10 each
MBS-5**	49686	1.45 - 1.95" (37 - 50 mm)	1/bag	10 each
MBS-6**	49687	1.80 - 2.40" (46 - 61 mm)	1/bag	10 each

*Caution: Use cable O.D., not insulation O.D. for determining the proper size.
 **Has double clamps.

Metal Clad Jacketed Cable Connectors – Connector Cross Reference

Trade Size (inches) (NPT Size)	Cable Jacket Range inches		Crouse-Hinds (TMC or TMCX)	Appleton	T & B	O-Z/Gedney
	Min.	Max.				
1/2	0.46	0.71	TMCX165	TMCX6550	ST050-462, ST050-464	JMC-50-71
3/4	0.65	0.93	TMCX285	TMCX8875	ST075-467, ST075-468	JMC-75-115
1	1.10	1.45	TMCX3112	TMCX118100	ST100-469	JMC-100-145
1-1/4	1.37	1.79	TMCX4140	TMCX140125	ST125-470, ST125-550, ST125-471	JMC-125-179
1-1/2	1.74	2.15	TMCX5161	TMCX166150	ST150-472, ST150-473	JMC-150-215
2	2.03	2.59	TMCX6206	TMCX206200	ST200-551, ST200-474, ST200-475, ST200-476	JMC-200-259
2-1/2	2.47	3.03	TMCX7247	TMCX251250	ST250-477, ST250-478	JMC-250-303
3	2.93	3.61	TMCX8302	TMCX304300	ST300-479, ST300-480, ST300-481	JMC-300-361
3-1/2	3.55	4.23	TMCX9352	TMCX359350	ST350-482, ST350-483	JMC-350-423
4	4.05	4.73	TMCX10402	TMCX402400	ST400-484, ST400-485	JMC-400-473