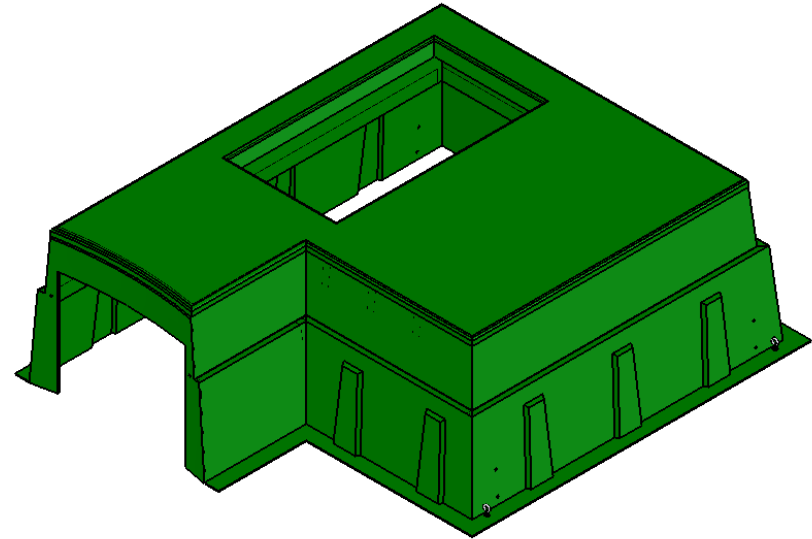
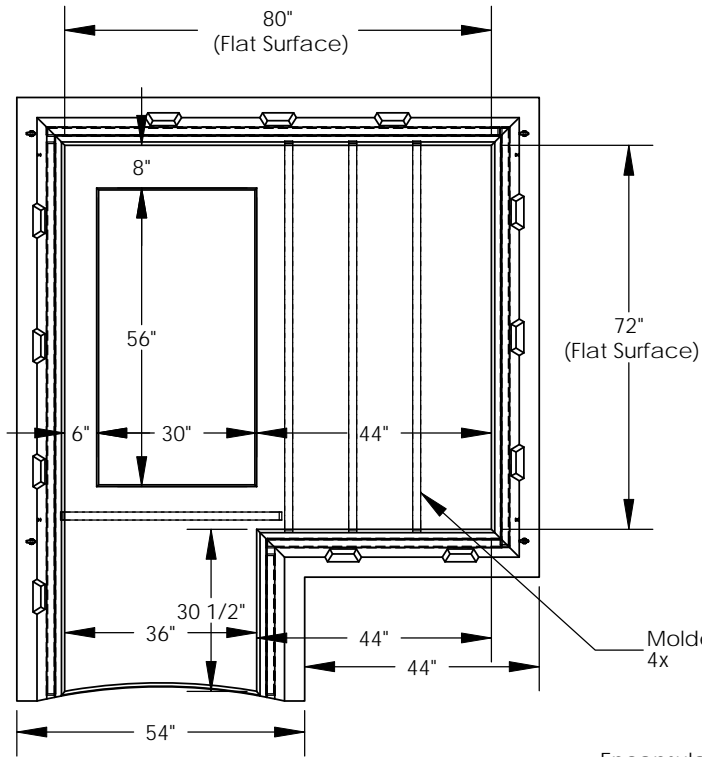
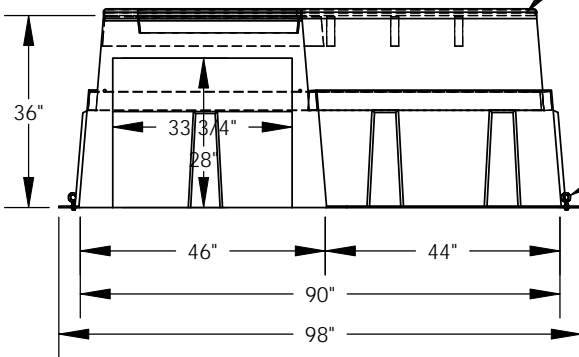


REVISIONS			
REV.	DESCRIPTION	DATE	APPROVED

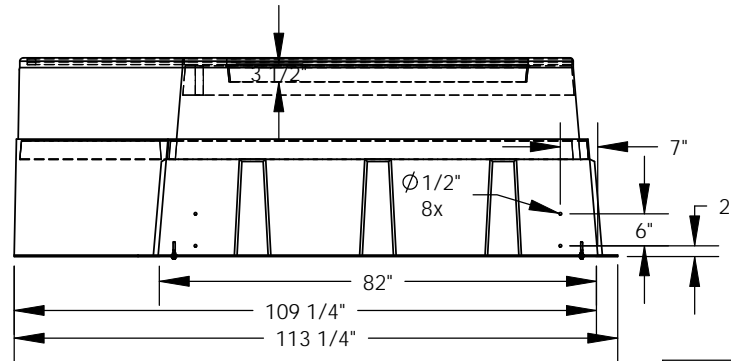


Molded-In 2x6  
4x

Encapsulated 1/2" Plywood  
2 Layers



ZN Coated  
Eyebolt  
4x



### Nordic Fiberglass, Inc.

21415 US Hwy 75 NW, Warren, MN 56762  
www.nordicfiberglass.com  
218-745-5095 ph. --- 218-745-4990 fax

GS-72-80-36RTCU1-MG-56x30

**PROPRIETARY AND CONFIDENTIAL**  
THE INFORMATION CONTAINED IN THIS DRAWING IS THE SOLE PROPERTY OF NORDIC FIBERGLASS, INC. ANY REPRODUCTION IN PART OR AS A WHOLE WITHOUT THE WRITTEN PERMISSION OF NORDIC FIBERGLASS, INC. IS PROHIBITED.

Customer Name: N/A		
DIMENSIONS ARE IN INCHES		
TOLERANCES: ANGLES ± 1°		
FRACTIONAL ± 1/32		
ONE PLACE DECIMAL ±.060		
TWO PLACE DECIMAL ±.030		
THREE PLACE DECIMAL ±.015		
MATERIAL		
DRAWN	NAME	DATE
CHECKED	P.J.W.	10/22/07
	---	--/--

SIZE	ITEM ID:	REV.
<b>A</b>	01785.02	<b>PRE-01+</b>
SCALE:1:36	SHEET 1 OF 1	